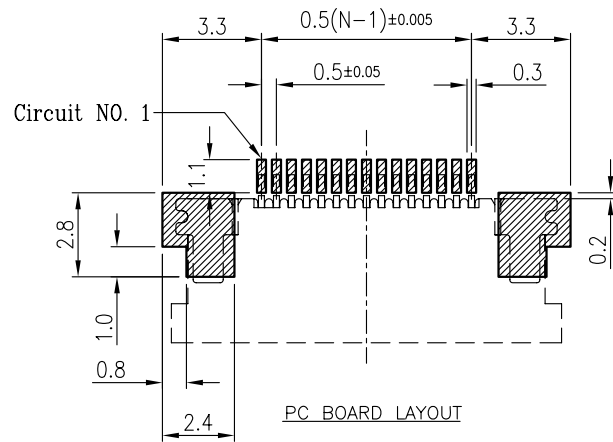
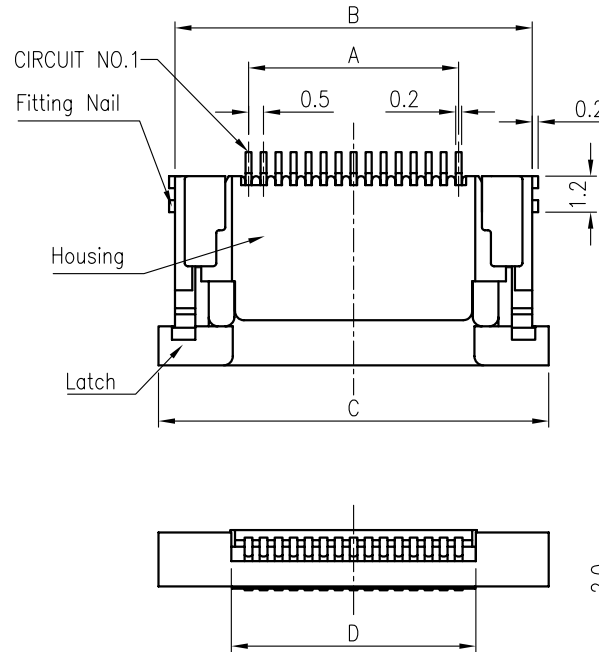


RECOMMENDED APPLICABLE FPC LAYOUT
(THICKNESS: 0.3±0.03)



PC BOARD LAYOUT



NOTES:

- MATERIAL:
 - HOUSING: THERMOPLASTIC, HIGH TEMP., UL94V-0;
 - CONTACT: COPPER ALLOY
 - FITTING NAIL: COPPER ALLOY
 - LATCH: THERMOPLASTIC, HIGH TEMP., UL94V-0;
- FINISH:
 - CONTACT:
 - 50u" MIN. NICKEL UNDERPLATING OVERALL.
 - N:120u" MIN. MATTE TIN PLATING OVER ALL
 - 1:GOLD FLASH PLATING OVER ALL
 - T:120u"MIN NICKEL UNDER PLATING OVERALL, 10u"GOLD ON CONTACT AREA,GOLD FLASH ON SOLDER AREA
 - FITTING NAIL:
 - 50u" MIN. NICKEL UNDERPLATING OVERALL.
 - N:120u" MIN. MATTE TIN PLATING OVER ALL
 - 1:GOLD FLASH PLATING OVER ALL
- REFLOW SOLDER CAPABLE TO 260°C PER ACES SPEC.
- SPEC. PLS. REFER TO PS-50532-XXXXX-XXX
- PACKAGE PLS. REFER TO 87151-XXX3-XX-TRP

50532-XXX X X-XXX

| XXX | Housing Color. | Actuator Color. |
|-----|----------------|-----------------|
| 001 | BLACK | WHITE |

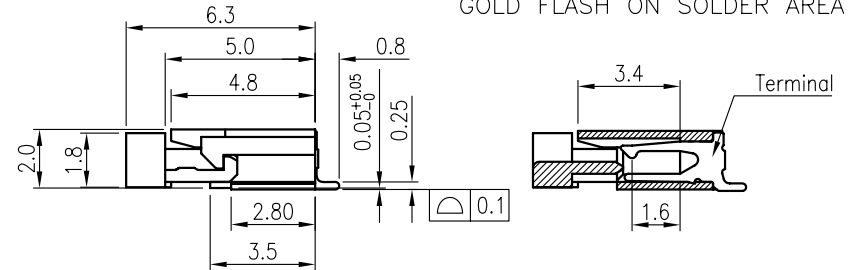
NO OF CKT _____

PACKING _____

0:REEL
1:TUBE

PLATING

1: GOLD FLASH OVERALL
N: MATTE TIN (LEAD FREE)
T: 120u"MIN NICKEL UNDER PLATING OVERALL, 10u"GOLD ON CONTACT AREA, GOLD FLASH ON SOLDER AREA



| CKT | DIMA | DIMB | DIMC | DIMD | CKT | DIMA | DIMB | DIMC | DIMD |
|-----|------|------|------|-------|-----|------|------|------|-------|
| 4 | 1.5 | 6.4 | 7.5 | 2.65 | 35 | 17.0 | 21.9 | 23.0 | 18.15 |
| 5 | 2.0 | 6.9 | 8.0 | 3.15 | 36 | 17.5 | 22.4 | 23.5 | 18.65 |
| 6 | 2.5 | 7.4 | 8.5 | 3.65 | 37 | 18.0 | 22.9 | 24.0 | 19.15 |
| 7 | 3.0 | 7.9 | 9.0 | 4.15 | 38 | 18.5 | 23.4 | 24.5 | 19.65 |
| 8 | 3.5 | 8.4 | 9.5 | 4.65 | 39 | 19.0 | 23.9 | 25.0 | 20.15 |
| 9 | 4.0 | 8.9 | 10.0 | 5.15 | 40 | 19.5 | 24.4 | 25.5 | 20.65 |
| 10 | 4.5 | 9.4 | 10.5 | 5.65 | 41 | 20.0 | 24.9 | 26.0 | 21.15 |
| 11 | 5.0 | 9.9 | 11.0 | 6.15 | 42 | 20.5 | 25.4 | 26.5 | 21.65 |
| 12 | 5.5 | 10.4 | 11.5 | 6.65 | 43 | 21.0 | 25.9 | 27.0 | 22.15 |
| 13 | 6.0 | 10.9 | 12.0 | 7.15 | 44 | 21.5 | 26.4 | 27.5 | 22.65 |
| 14 | 6.5 | 11.4 | 12.5 | 7.65 | 45 | 22.0 | 26.9 | 28.0 | 23.15 |
| 15 | 7.0 | 11.9 | 13.0 | 8.15 | 46 | 22.5 | 27.4 | 28.5 | 23.65 |
| 16 | 7.5 | 12.4 | 13.5 | 8.65 | 47 | 23.0 | 27.9 | 29.0 | 24.15 |
| 17 | 8.0 | 12.9 | 14.0 | 9.15 | 48 | 23.5 | 28.4 | 29.5 | 24.65 |
| 18 | 8.5 | 13.4 | 14.5 | 9.65 | 49 | 24.0 | 28.9 | 30.0 | 25.15 |
| 19 | 9.0 | 13.9 | 15.0 | 10.15 | 50 | 24.5 | 29.4 | 30.5 | 25.65 |
| 20 | 9.5 | 14.4 | 15.5 | 10.65 | 51 | 25.0 | 29.9 | 31.0 | 26.15 |
| 21 | 10.0 | 14.9 | 16.0 | 11.15 | 52 | 25.5 | 30.4 | 31.5 | 26.65 |
| 22 | 10.5 | 15.4 | 16.5 | 11.65 | 53 | 26.0 | 30.9 | 32.0 | 27.15 |
| 23 | 11.0 | 15.9 | 17.0 | 12.15 | 54 | 26.5 | 31.4 | 32.5 | 27.65 |
| 24 | 11.5 | 16.4 | 17.5 | 12.65 | 55 | 27.0 | 31.9 | 33.0 | 28.15 |
| 25 | 12.0 | 16.9 | 18.0 | 13.15 | 56 | 27.5 | 32.4 | 33.5 | 28.65 |
| 26 | 12.5 | 17.4 | 18.5 | 13.65 | 57 | 28.0 | 32.9 | 34.0 | 29.15 |
| 27 | 13.0 | 17.9 | 19.0 | 14.15 | 58 | 28.5 | 33.4 | 34.5 | 29.65 |
| 28 | 13.5 | 18.4 | 19.5 | 14.65 | 59 | 29.0 | 33.9 | 35.0 | 30.15 |
| 29 | 14.0 | 18.9 | 20.0 | 15.15 | 60 | 29.5 | 34.4 | 35.5 | 30.65 |
| 30 | 14.5 | 19.4 | 20.5 | 15.65 | 61 | 30.0 | 34.9 | 36.0 | 31.15 |
| 31 | 15.0 | 19.9 | 21.0 | 16.15 | 62 | 30.5 | 35.4 | 36.5 | 31.65 |
| 32 | 15.5 | 20.4 | 21.5 | 16.65 | 63 | 31.0 | 35.9 | 37.0 | 32.15 |
| 33 | 16.0 | 20.9 | 22.0 | 17.15 | 64 | 31.5 | 36.4 | 37.5 | 32.65 |
| 34 | 16.5 | 21.4 | 22.5 | 17.65 | | | | | |

| | | | |
|--|---|--|---------------------------|
| 一般公差 TOLERANCES X ±0.5 .XX ±0.15 X ±0.25 .XXX ±0.1 ANGLES ±2° | | 宏致電子股份有限公司 Aces Electronic Co.,Ltd. | |
| 檢驗尺寸標示 SYMBOLS INDICATE CLASSIFICATION DIMENSION | 品名 (TITLE) 0.5 mm SMT R/A FPC CONN TOP CONTACT TYPE | 製圖 (DR) '17/01/17 ZHUWEI | 審核 (CHKD) BRAVE |
| MARK IS CRITICAL DIM. MARK IS MAJOR DIM. | 圖號 (DWG.NO) 50532-XXXXX-XXX | 核准 (APPD) FRANK | |
| 表面處理 (FINISH) | 比例 (SCALE) 單位 (UNITS) mm | 張數 (SHEET) 1 OF 1 | 尺寸 (SIZE) A4 版 (REV) B |